

ES Manufacturing, Incorporated

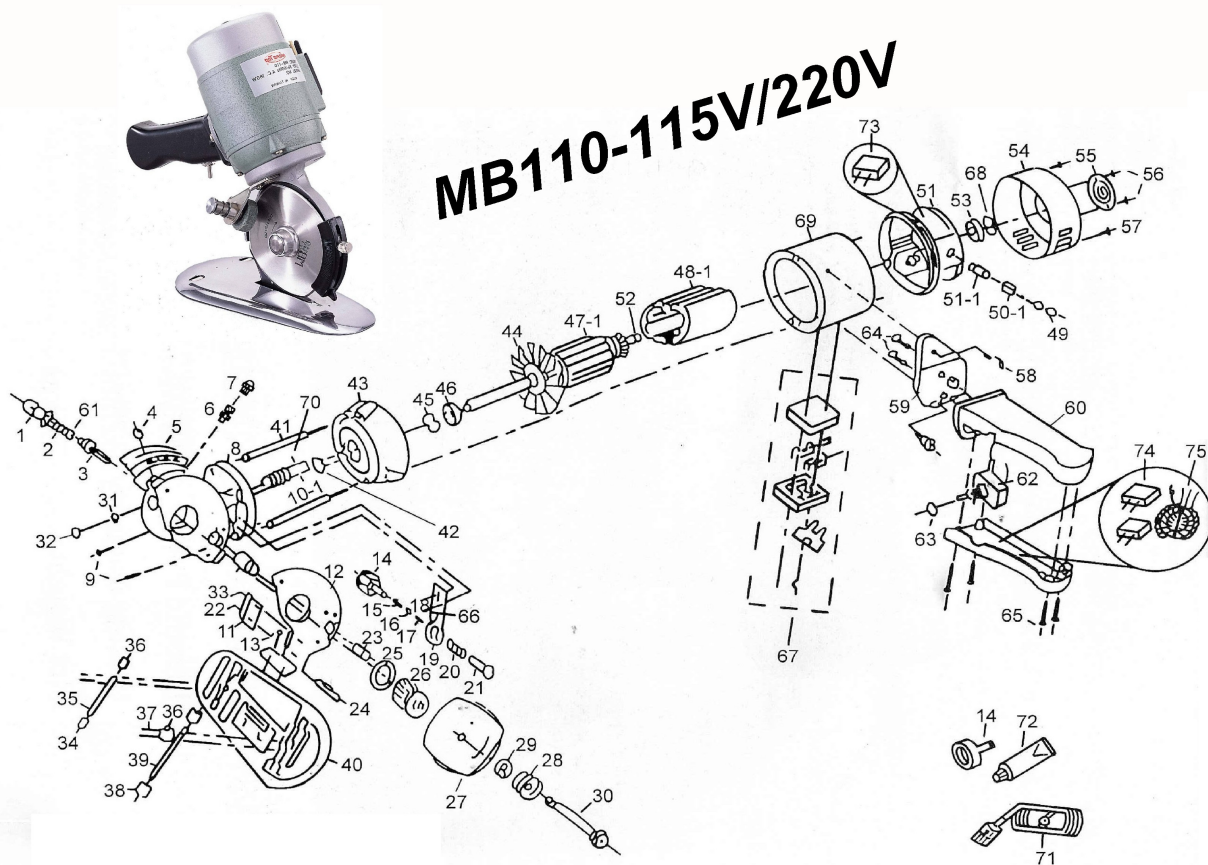
Est.
1973

Engineered Solutions

Made in USA



Makers of fine tools and accessories for the fiberglass and composite industries



MB110-001	Adjusting Nut For Blade	MB110-025	Worm Gear Washer	MB110-049	Cab for Carbon Brush
MB110-002	Spring	MB110-026	Composite Worm Gear	MB110-050-ASSY	Carbon Brush w/Spring
MB110-003	Shaft for Gear	MB110-027	Blade	MB110-051	Motor Cover
MB110-004	Screw For Finger Guard	MB110-028	Lock cover for Blade	MB100-052	Snap Ring (E7)
MB110-005	Finger Guard	MB110-029	Bearing	MB100-053	Bearing
MB110-006	Grease Cup	MB110-030	Screw for Blade	MB100-054	End Cover
MB110-007	Cap for Grease Cup	MB110-031	Bearing	MB110-055	Cap for Cover
MB110-008	Gear Box	MB110-032	Cap for Bearing	MB110-056	Screw
MB110-009	Screw	MB110-033	Oil Felt Tube	MB110-057	Screw
MB110-010-1	Steel Worm Gear	MB110-034	Rollers	MB110-058	Screw
MB110-011	Guide Plate	MB110-035	Rollers Shaft	MB110-059	Handle Fixed Base
MB110-012	Gear Box Fixed Base	MB110-036	Rollers Shaft Fix. Plate	MB110-060	Handle
MB110-013	Screw	MB110-037	Screw	MB110-061	Nut For Switch
MB110-014	Sharpening Stone	MB110-038	Rollers	MB110-062	Switch
MB110-014-ASSY	Sharpening Stone Assy.	MB110-039	Roller Shaft	MB110-063	Nut For Switch
MB110-015	Lock Nut for Stone	MB110-040	Base Plate	MB110-064	Screw
MB110-016	Snap Ring (E3)	MB110-041 (2)	Gear Box Mount Screw	MB110-065	Screw
MB110-017	Spring	MB110-042	Retaining Ring	MB110-066	Screw
MB110-018	Screw	MB110-043	Front Cover	MB110-067	Plug
MB110-019	Sharpening Stone Bracket	MB110-044	Snap Ring	MB110-068	Wave Washer
MB110-020	Spring	MB110-045	Wave Washer	MB110-069	Motor Cover
MB110-021	Push Knob For Stone	MB110-046	Beariing	MB110-070	Screw For Worm Gear
MB110-022	Screw	MB110-047-1	Rotor	MB110-071	Cord complete w/Each
MB110-023	Oil Felt	MB110-048-1	Stator	MB110-072	Grease
MB110-024	Counter Blade				